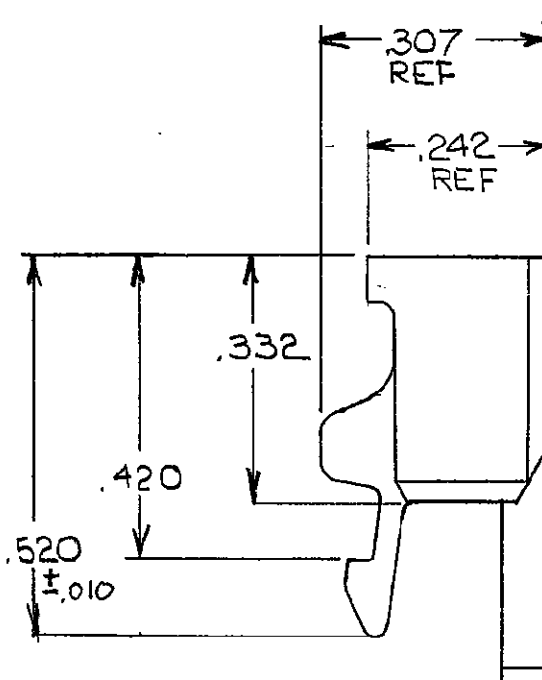
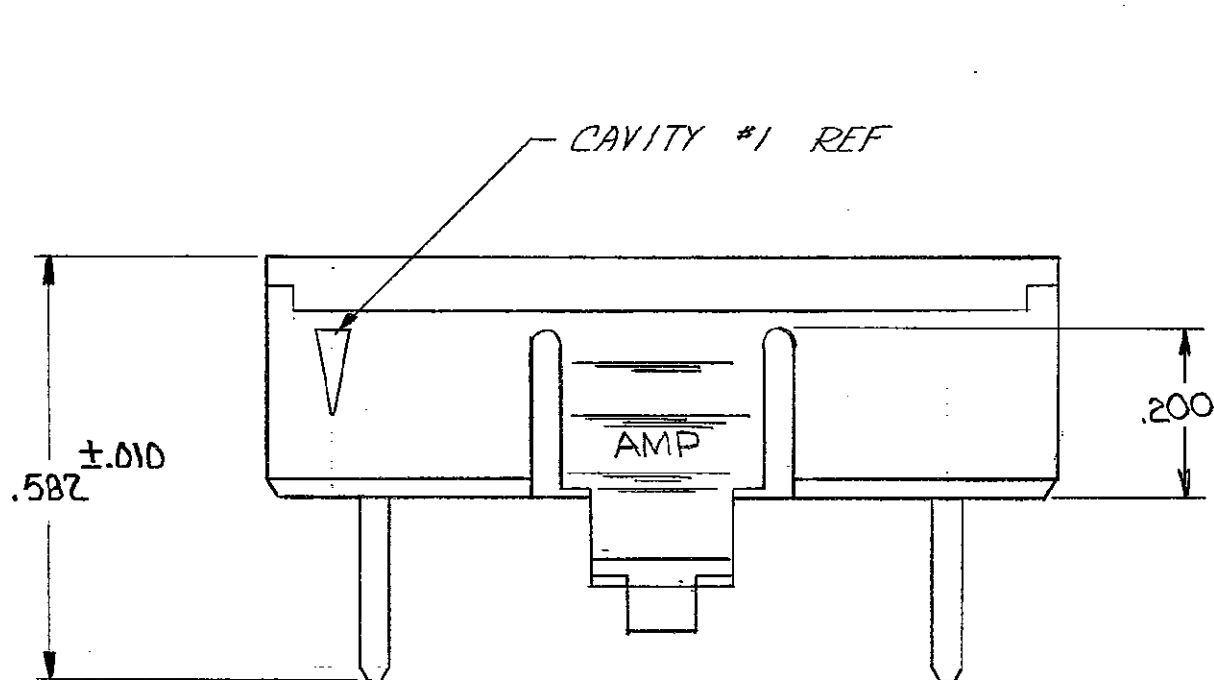
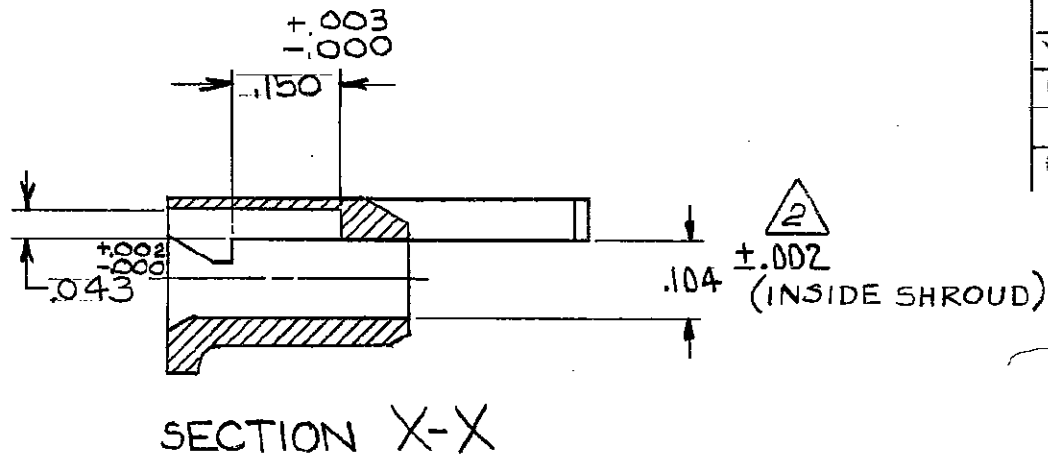
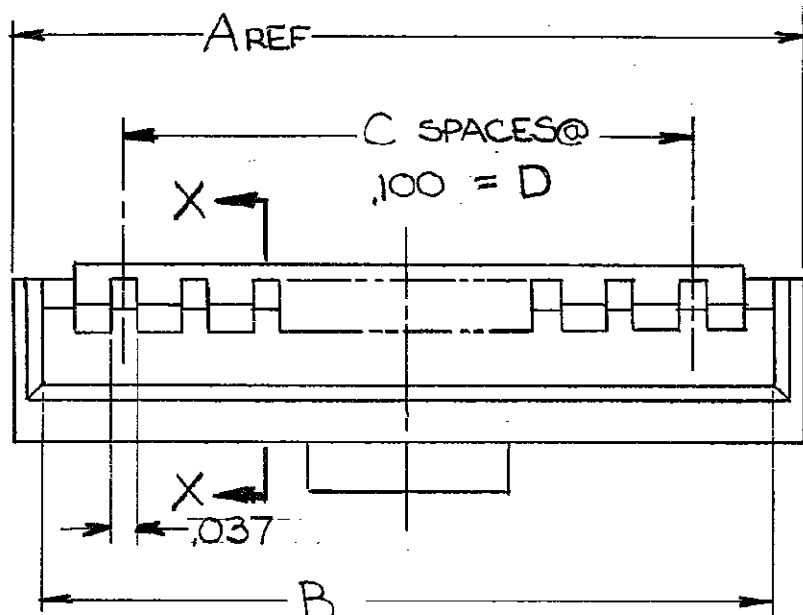


THIS DRAWING IS UNPUBLISHED. RELEASED FOR PUBLICATION . 19
 © COPYRIGHT 1985 BY AMP INCORPORATED, HARRISBURG, PA. ALL INTERNATIONAL RIGHTS RESERVED. AMP PRODUCTS MAY BE COVERED BY U.S. AND FOREIGN PATENTS AND/OR PATENTS PENDING.

REVISIONS					
P	F	ZONE	LTR	DESCRIPTION	DATE APPROVED
			O	RELEASED	4-8-85 D.L.C.
			D1	REVISED	6-28-85 J.W.
			A	REVISED, ECN ARO 798	7-9-85 J.W.
			B	REVISED, ECN ARO 850	10-16-85 R.P.R.
			B1	REV ECN 942	7-19-86 P.C.S.
			C	REV ECN 1086	7-17-86 P.C.S.
			D	REV LOC & DIST AD-4171	11-22-89 B.F.
			E	OBS PER ECN 0831-93	8-93 RAC
			F	REV PER 0010-1290-93	2-4-94 E.B.
			G	REV PER 0010-0782-93	2-16-94 E.B.
			H	REV PER 0010-1894-93	2-16-94 E.B.



2.300	23	2.505	2.585	25	2-103680-2
2.200	22	2.405	2.485	24	-1
2.100	21	2.305	2.385	23	-0
2.000	20	2.205	2.285	22	-9
1.900	19	2.105	2.185	21	-8
1.800	18	2.005	2.085	20	-7
1.700	17	1.905	1.985	19	-6
1.600	16	1.805	1.885	18	-5
1.500	15	1.705	1.785	17	-4
1.400	14	1.605	1.685	16	-3
1.300	13	1.505	1.585	15	-2
1.200	12	1.405	1.485	14	-1
1.100	11	1.305	1.385	13	-0
1.000	10	1.205	1.285	12	-9
.900	9	1.105	1.185	11	-8
.800	8	1.005	1.085	10	-7
.700	7	.905	.985	9	-6
.600	6	.805	.885	8	-5
.500	5	.705	.785	7	-4
.400	4	.605	.685	6	-3
.300	3	.505	.585	5	-2
.200	2	.405	.485	4	103680-1
D	C	B	A	NO. OF POSN	PART NO

103680

1. SHROUD ACCEPTS HOUSINGS WITH GUIDE RIBS.

2. DIMENSION APPLIES WITH ANY BDW OR WARPAGE IN SHROUD WALLS REMOVED.

UNLESS OTHERWISE SPECIFIED DIMENSIONS ARE IN INCHES. TOLERANCES ON: DECIMALS ±.005 ANGLES ±	CONTRACT NO	AMP AMP INCORPORATED Harrisburg, Pa. 17105	
	DR <i>Ronald P. Secrest</i>	NAME SHROUD, COUPLING, SINGLE ROW, AMPMODU MTE	
MATERIAL THERMOPLASTIC COLOR: BLACK	CHK <i>Ronald P. Secrest</i> 4-22-85	SIZE FSCM NO DRAWING NO C 00779 103680	
FINISH	APPD <i>Ronald P. Secrest</i> 4-22-85	SCALE SHEET 1 OF 1	
	DSGN APPD	OTHER APPD	